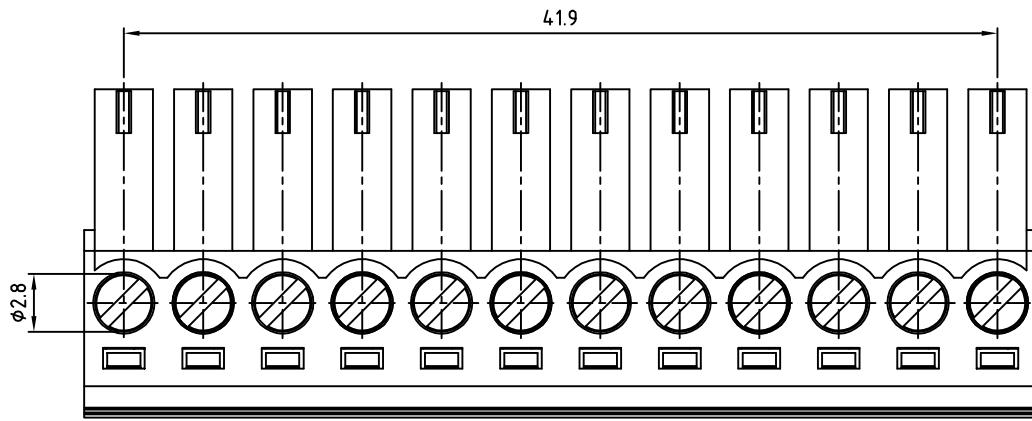


SIGN	DATE	DESCRIPTION	APPROVER
		<i>THIS IS CAD DRAWING, DO NOT REVISE MANUALLY!!!</i>	



Material

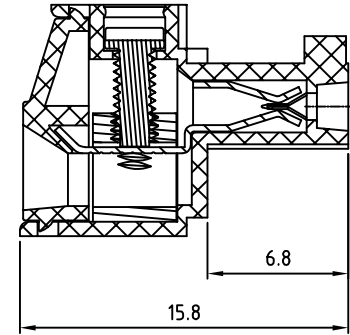
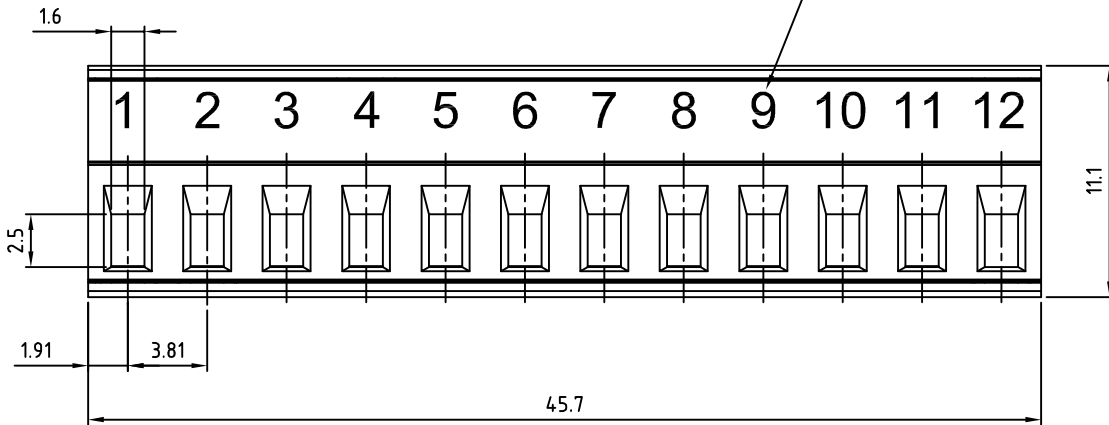
- Terminal body(metal housing): Brass(CuZn)
- Terminal screw: Steel Zinc plating "-" slot type
- Wire guard: PhBz ,Tin plated
- Insulator (Cover): Thermoplastic (UL94V-0)
- Insulator (Body): Thermoplastic (UL94V-0)

Electrical cULus/CSA/VDE

- Voltage rating: 300VAC/125VAC/125VAC
- Current rating: 10A/8A/10.5A
- Wire range: 1.5mm²
Solid wire(AWG): 16-26/16-26
Stranded wire(AWG): 16-26/16-26
- Torque: 3Lb-In/3.5kgf.cm
- Screw: M2
- Wire strip length: 6-7mm
- Withstanding Voltage: 1.6KV/1.6KV/2.5KV
- Operating temperature: -30°C to +105°C
- Safety Approval:

RoHS Compliant

Text color(Black/pad print)
Font : Arial
Text height : 2.2mm



THESE DRAWINGS AND SPECIFICATIONS ARE THE PROPERTY OF ON-SHORE TECHNOLOGY, INC. AND SHALL NOT BE REPRODUCED, COPIED OR USED IN ANY MANNER WITHOUT THE PRIOR WRITTEN CONSENT OF ON-SHORE TECHNOLOGY, INC.

TITLE		OSTTJ-3.81mm Series 12p green with balck print 1 2 3...12			
PART NO.	OSTTJ1231530M02	DWG NO.	OSTTJ1231530M02.DWG		
APPROVED	CHECKED	DESIGNED	DRAWN	CUST NO.	Tolerance
Lee 2007.11.20	Marvin 2007.11.20	Marvin 2007.11.20	Marvin 2007.11.20		X. ±0.50
					UNIT: mm
				SHEET: 01/01	X.XX ±0.10
				REV.: B	X° ±1°